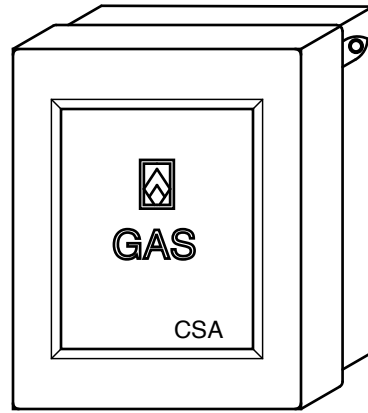
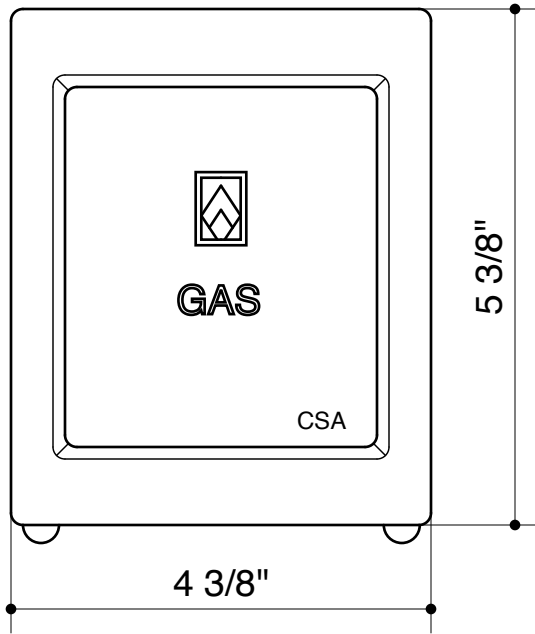


G0101-5

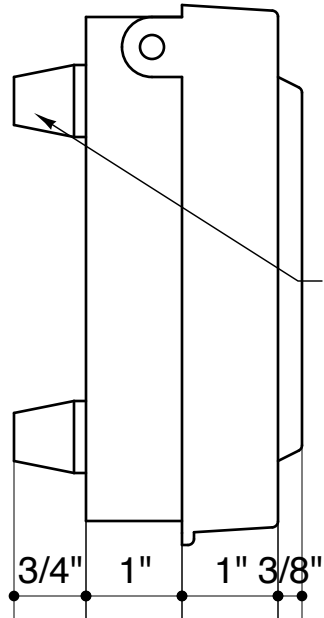
Front



Back

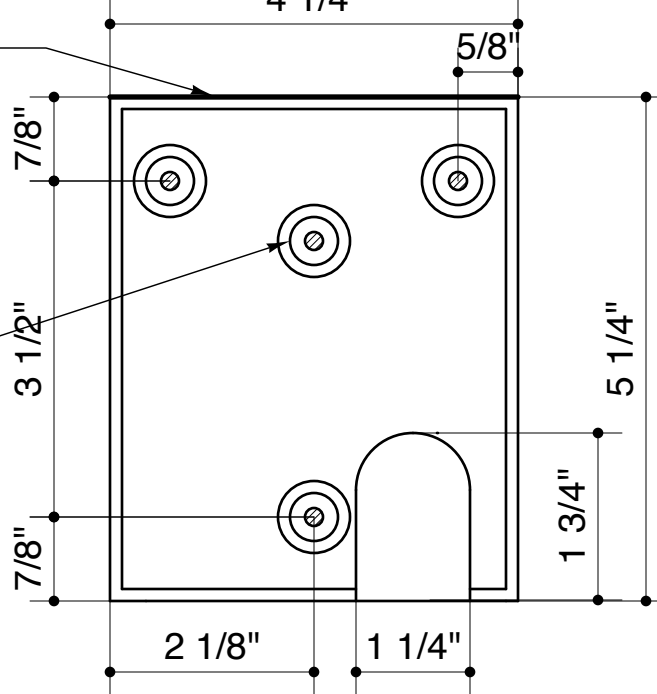
$4 \frac{1}{4}$ "

Side



Drip Guard

Optional
Stand-Offs



Open

